

PORTABLE LINE BORING
MACHINES

SC3

from \varnothing 62 mm to \varnothing 800 mm (2,44" - 31,50")



The **Supercombinata SC3**, thanks to its standard equipment, is suitable to perform internal **line boring** and internal and external **overlay welding** within a working range from **Ø 62 mm** to **Ø 800 mm**. It's suitable for drilling and tapping. By means of **extra kits**, it is suitable to perform external line boring, facing of orthogonal planes, creation of circlips grooves, threading. With additional **accessories**, the Supercombinata can be adapted to many different needs of our customers.

TECHNICAL SPECIFICATIONS

DIAMETERS

Boring bar diameter:	ø 60 x 2200 mm
In line boring:	ø 62 - 800 mm
External line boring:	Extra kit
Internal welding:	ø 42 - 800 mm
External welding:	ø 42 - 600 mm
Drilling:	Optional accessories
Tapping:	Optional accessories
Threading:	Extra kit
Facing of orthogonal planes:	Extra kit

ROTATION MOTOR

AC motor:	Single phase
Power at rated speed:	2300 W
Output torque at the bar:	902 Nm with 55 rpm
1° speed:	max 55 rpm (420 Nm)
2° speed:	max 85 rpm (235 Nm)
3° speed:	max 240 rpm (85 Nm)
4° speed:	max 375 rpm (55 Nm)

FEED MOTOR

Gear motor:	DC
Power at rated speed:	90 W
Max. speed:	11 rpm
Feed system:	Electromechanical
Feed:	Manual/Automatic

WELDING TECHNOLOGY

Spiral:	Continuous with variable step
Welding machine:	Compatible with MIG/MAG welder with EURO connector

LONGITUDINAL STROKE

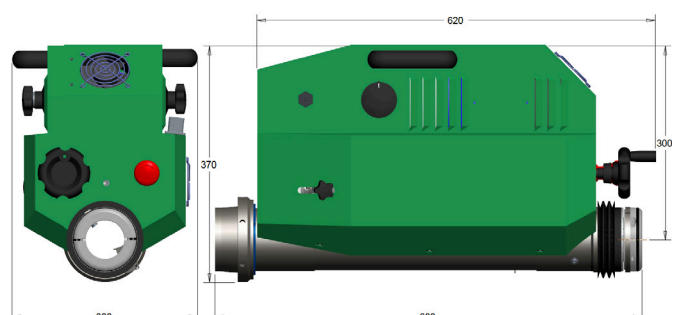
Unlimited:	With 350 mm pitch
------------	-------------------

ELECTRONIC CONTROL PANEL

Voltage:	220/240 V (50/60 Hz)
Main switch:	Available
Emergency switch:	Available
Inverter feed:	RH/LH
Inverter rotation:	CW/ CCW
Speed regulator:	Rotation/Feed
Electrical absorption:	2300 W
Control panel 110/120 V:	Upon request
Digital control panel:	Upon request

DIMENSIONS

Length:	680 mm
Width:	300 mm
Height:	390 mm
Weight central unit:	39 kg



STANDARD EQUIPMENT

QTY 1	MAIN UNIT
QTY 1	BORING MACHINE STAND
QTY 1	ELECTRONIC CONTROL PANEL
QTY 1	CONTROL PANEL HOLDER
QTY 1	CABLE CONTROL PANEL/MACHINE
QTY 1	POWER CABLE 220V
QTY 1	BORING BAR Ø 60X2200 MM
QTY 1	BORING BAR EXTENSION 520 MM
QTY 2	PIVOT
QTY 1	TOOL HOLDER FOR BORING D. 120-250 MM
QTY 1	TOOL HOLDER FOR BORING D. 250-800 MM
QTY 1	TOOL HOLDER LH Ø 12X50 MM
QTY 1	SPECIAL TOOL HOLDER LH Ø 12X60 MM
QTY 1	TOOL HOLDER LH Ø 12X60 MM
QTY 1	TOOL HOLDER LH Ø 12X80 MM
QTY 1	TOOL HOLDER RH Ø 12X100 MM
QTY 1	BOX WITH 10 CUTTING INSERTS
QTY 1	ADJUSTING PLUG FOR TOOL HOLDER
QTY 2	MAIN BAR SUPPORT
QTY 2	ADDITIONAL SUPPORT
QTY 18	BRACKET FOR FLANGES 200 MM

QTY 18	BRACKET FOR FLANGES 275 MM
QTY 4	FLANGES SUPPORT D. 250-800 MM
QTY 1	TELESCOPIC SHAFT FOR WELDING
QTY 1	REDUCTION BUSHING DRAWING TORCH
QTY 1	REDUCTION BUSHING LOCKING TORCH
QTY 5	DIFFUSOR EXTENSION 35 MM
QTY 4	DIFFUSOR EXTENSION 100 MM
QTY 4	SHORT GAS NOZZLE
QTY 4	LONG GAS NOZZLE
QTY 5	SHORT CONTACT TIP Ø 0,8 MM WIRE
QTY 5	LONG CONTACT TIP Ø 0,8 MM WIRE
QTY 1	O-RING FOR WELDING SHAFT 100X5 MM
QTY 1	TERMINAL LANCE FOR EXTERNAL WELDING
QTY 1	CENTRING SYSTEM FOR THROUGH HOLES D. 250-800 MM
QTY 1	CENTRING SYSTEM FOR THROUGH HOLES
QTY 1	CENTRING SYSTEM FOR BLIND HOLES
QTY 1	TELESCOPIC GAUGE UP TO Ø 800 M
QTY 1	DIAL GAUGE
QTY 1	DIAL GAUGE SUPPORT
QTY 1	SET OF WRENCHES
QTY 1	SCREWS AND BOLTS



• EXTRA KITS

BORING REDUCTION

KEP00594	Ø 22 - 44 mm (0,87" - 1,73")
KEP00593	Ø 32 - 70 mm (1,26" - 2,76")
KEP00688	Ø 42 - 160 mm (1,65" - 6,30")
KEP00687	for jobs with KES00186/KES00200

FACING

KES00186*	Ø 48 - 255 mm (1,89" - 10,04")
KES00200*	Ø 56 - 400 mm (2,20" - 15,75")
KES00363	Ø 228 - 500 mm (8,98" - 19,68")
KES00364	Ø 376 - 800 mm (14,80" - 31,50")

*SC2 / SC3 compatible by using KEP00687

INTERNAL THREADING

KFL00927	Ø 120 - 350 mm (4,72" - 13,78")
----------	---------------------------------

EXTERNAL BORING

KEL00202	Ø 100 - 200 mm - D. 200 mm (3,94" - 7,87")
KEL00203	Ø 150 - 300 mm - D. 300 mm (5,90" - 11,81")

BIG DIAMETERS

KED00366	Ø 800 - 1200 mm (31,50" - 47,24")
----------	-----------------------------------

• ACCESSORIES

AE001027	BORING BAR Ø 60X1500 MM
AE003014	BORING BAR Ø 60X3000 MM
AE030025	BORING BAR Ø 60X1100 MM
AE030026	TOOL HOLDER BAR Ø 60X2200 MM WITH DOUBLE TAPER
AE003015	TOOL HOLDER BAR Ø 60X3000 MM WITH DOUBLE TAPER
AE000443	MORSE TAPER ATTACHMENT 4 MM
AE000441	EXTERNAL JOINT FOR BORING BAR Ø 60 MM
AE000442	INTERNAL JOINT FOR BORING BAR Ø 60 MM
GC355C	INTERNAL SUPPORT D. 200-300 MM
GC395C	SET OF 2 CENTRING CONES D. 135-225 MM
SG00127	TERMINAL LANCE D. 30-50 MM
COT90201	LONG CONTACT TIP Ø 1,0 MM WIRE
COT90202	SHORT CONTACT TIP Ø 1,0 MM WIRE



Stessen kotter- machines

www.kottermachines.nl
info@stessen.com
+31(0)45-5445588

Sourethweg 5D - 6422PC Heerlen



Elsa Srl
Località La Petrizia SS 106
88050 Sellia Marina (CZ) - Italia
Tel: (+39) 0961 962854
Fax: (+39) 0961 968716
info@elsasrl.com

www.elsasrl.com

EN

SUPERCOMBINATA SC3